

AVX 23/9 A
AVX 23/9 AR

AVX 30/12 A
AVX 30/12 AR



Installation and maintenance instructions



“AVX” - AXIAL FANS FOR COMMERCIAL/INDUSTRIAL USE

Installation Instructions

PLEASE READ THE FOLLOWING INSTRUCTIONS VERY CAREFULLY BEFORE INSTALLING THE PRODUCT.

THE RANGE

All versions have delay action, slow moving shutters.

AVX 23/9 A or AVX 30/12 A

The A version can be wired for INTAKE ONLY, for EXTRACT ONLY or for EXTRACT OR INTAKE (with a double pole three position switch).

To be wired the A version needs two core cable from the main supply to the user switch (not provided) and two core cable from the switch to the fan (four core cable in case of three position switch).

AVX 23/9 AR or AVX 30/12 AR WITH CONTROLLER

The AVX-AR can be installed with or without the controller included in the box.

To be wired without the controller the AR version needs two core cable from the main supply to the user switch (not provided) and two core cable from the switch to the fan (four core cable in case of three position switch).

To be wired with the controller the AR version needs two core cable from the main supply to the controller (provided) and **four** core cable from the controller to the fan.

This version has several modes of operation:

- Extract (5 speeds)
- Intake (5 speeds)
- Fan stopped with the shutters remaining open.

IMPORTANT - SITING INFORMATION

1. The fans are suitable for installation into:
 - a. Window
 - b. Wall
2. The fan should be installed at a minimum height of 2.3 m.
3. The fan must not be exhausted into a duct which is already used for any other purpose.
4. The fan must not be used in an ambient temperature higher than 40° C.

5. If the fan is to be sited in a room containing a fuel burning appliance, the installer must ensure that air replacement is adequate both for the fan and the fuel burning appliance.
6. Installation must be carried out by qualified personnel. Incorrect installation can cause damage to people, animals or property, for which the manufacturer cannot be held liable.
7. If you have any doubts concerning the use of this product, please contact your supplier.

IMPORTANT - ELECTRICAL INFORMATION

1. All electrical connections must comply with current IEE wiring regulations.
2. The fan is a fixed appliance, and the electrical supply must therefore be by a fixed, wired and fused (3 amp) spur incorporating a double pole switch with contact openings of at least 3 mm. Use twin conductor cable of at least 1 mm² in section.
3. Your fan is double insulated and does not require earthing.
4. The fans comply with BSEN60335; with the Low Voltage Directive; with EC Directive EMC 89/336 for the Suppression of Radio Interference.
5. It is recommended that the installation be carried out by a qualified electrician.
6. The printed circuit board in these fans has been protected to make it compatible with the majority of fluorescent fittings available on the market today. However, it is impossible to be aware of all the new products introduced. We suggest therefore that you contact your supplier to establish the compatibility of the fluorescent fitting you intend to use.

INSTALLATION INSTRUCTIONS

Preparation

1. Remove all packing material and check that the fan has not been damaged in transit.
2. Check that your electrical voltage and frequency correspond with those marked on the rating label.
3. Check the location of existing wiring for ease of connection.

FIXING INSTRUCTION

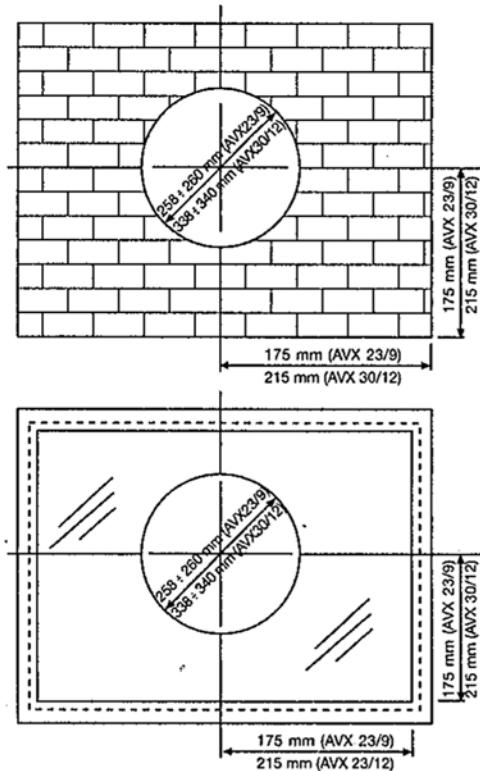


FIG 1

WINDOW INSTALLATION

1. Cut a hole as indicated in **FIG 1**.
2. Remove the screws (L) from the front grille (A) to release it from the body of the fan unit (B). (**FIG 2**)
3. Separate the fan body (B) from the inner clamp plate (C). (**FIG 3**)
4. Separate the inner clamp plate (C) from the outer clamp plate (D). Note that the outer clamp plate is shown in the pictures without rear protective grille. It is NOT necessary to divide them. (**FIG 4**)
5. Place the outer clamp plate (D) and the rear grille in the hole made in the glass or partition from the rear and fix it in place using the tabs (E) to hold in place. (**FIG 5**)
6. Place the inner clamp plate (C) on the inside of the glass and screw it to the outer clamp plate (D) using four 60 mm bolts supplied (F). (**FIG 6**)
7. Place the body of the fan unit (B) in position and screw it to the inner clamp plate (C) using four 30 mm bolts supplied (G). (**FIG 7**)
8. Remove the screws (J) from the connection box cover (I). (**FIG 8**)
9. Remove the cover from the cable entry (H) and carefully cut a suitable hole in it. Thread the connection cable through the hole until it reaches the connection box cover (I) connect the cable to the terminal strip (K) as shown in the corresponding wiring diagram.

10. Position the covers on the cable entry point (H) and the connection box (I) and replace the screws (J).
11. Replace the front grille (A) and fix it in place using the 4 screws (L) previously removed.

WALL MOUNTING

1. Cut a hole as indicated in **FIG 1**.
2. Remove the screws (L) from the front grille (A) to release it from the body of the fan unit (B). (**FIG 2**)
3. Separate the fan body (B) from the inner clamp plate (C). (**FIG 3**)
4. Separate the inner clamp plate (C) from the outer clamp plate (D). Note that the outer clamp plate is shown in the pictures without rear protective grille. It is NOT necessary to divide them. (**FIG 4**)
5. Screw the 35 cm long rods (A') into the outer clamp plate (D). (**FIG 12**)
6. Place the outer clamp plate (D) with the rods (A') in the outside part of the hole in the wall, ensuring that the length of the rods protruding from the wall is approximately 20 mm to prevent interference when installing the body of the fan (B). Place the inner clamp plate (C) on the inside of the wall matching up the four (4) interior housings with the rods and then use the nuts to fasten the two plates together. (**FIG 13**)
7. Place the body of the fan unit (B) in position and screw it to the inner clamp plate (C) using four 30 mm bolts supplied (G). (**FIG 7**)
8. Remove the screws (J) from the connection box cover (I). (**FIG 8**)
9. Remove the cover from the cable entry (H) and carefully cut a suitable hole in it. Thread the connection cable through the hole until it reaches the connection box cover (I) connect the cable to the terminal strip (K) as shown in the corresponding wiring diagram. (**FIG 9**)
10. Position the covers on the cable entry point (H) and the connection box (I) and replace the screws (J). (**FIG 10**)
11. Replace the front grille (A) and fix it in place using the 4 screws (L) previously removed. (**FIG 11**)

WALL FIXING

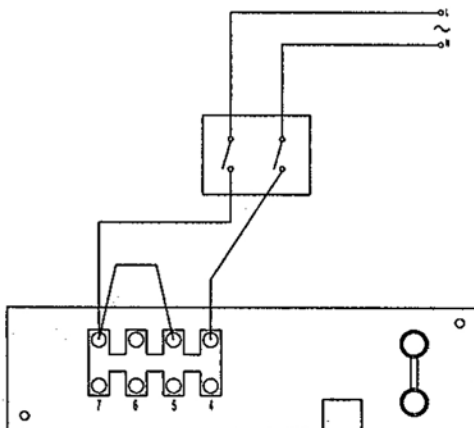
1. Cut a hole as indicated in **FIG 1**.
2. Remove the screws (L) from the front grille (A) to release it from the body of the fan unit (B). (**FIG 2**)
3. Separate the fan body (B) from the inner clamp plate (C). (**FIG 3**)

4. Separate the inner clamp plate (C) from the outer clamp plate (D). Note that the outer clamp plate is shown in the pictures without rear protective grille. It is NOT necessary to divide them. (FIG 4)
5. Make four holes in the wall according to the position of the holes on the inner clamp plate (C) and place the rawlplugs supplied.
6. Place the inner clamp plate (C) on the wall and fix it in place by loosening the 4 screws (M) through the holes provided in the inner clamp plate. Make sure that the inner clamp plate is placed so that the holder (O) is uppermost as it will then anchor the fan unit body (B). (FIG 14)
7. Place the body of the fan unit (B) in position and screw it to the inner clamp plate (C) using four 30 mm bolts supplied(G). (FIG 7)
8. Remove the screws (J) from the connection box cover (I). (FIG 8)
9. Remove the cover from the cable entry (H) and carefully cut a suitable hole in it. Thread the connection cable through the hole until it reaches the connection box cover (I) connect the cable to the terminal strip (K) as shown in the corresponding wiring diagram. (FIG 9)
10. Position the covers on the cable entry point (H) and the connection box (I) and replace the screws (J). (FIG 10)
11. Replace the front grille (A) and fix it in place using the 4 screws (L) previously removed. (FIG 11)

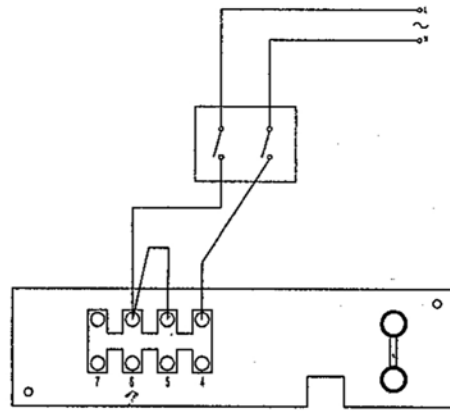
WIRING INSTRUCTIONS

1. Ensure that the mains electrical supply is switched off during the installation of the fixed wiring spur.
1. Read carefully "Important-Electrical Information" above.
2. Connect as shown in the Wiring Diagrams below.

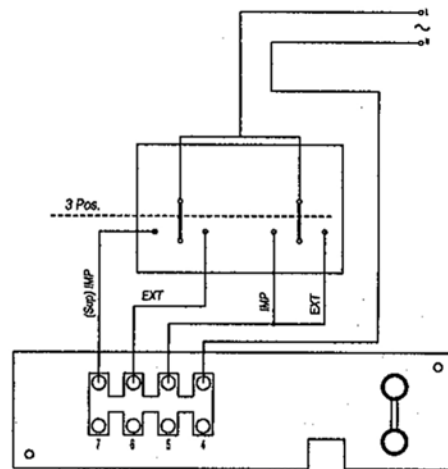
INTAKE



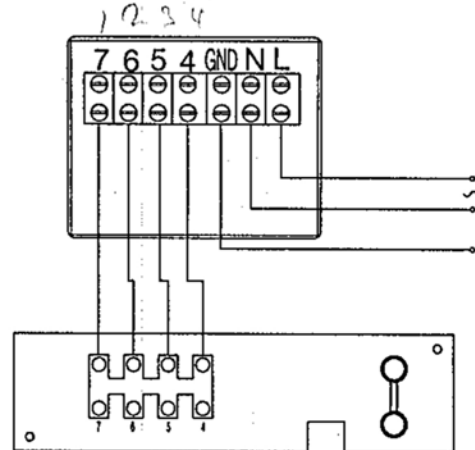
EXTRACT



INTAKE AND EXTRACT (WITH 3 POSITION DOUBLE POLE SWITCH)

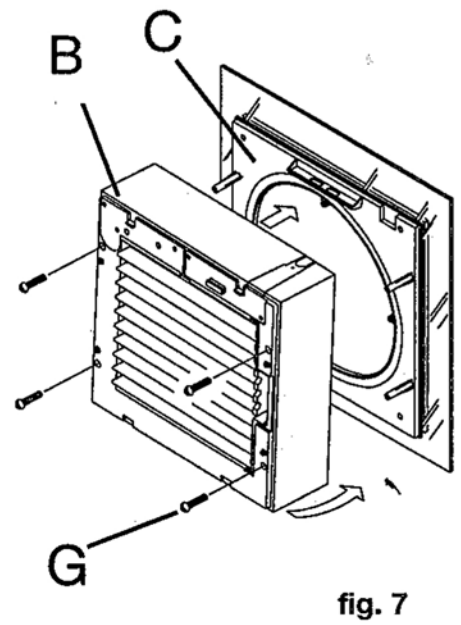
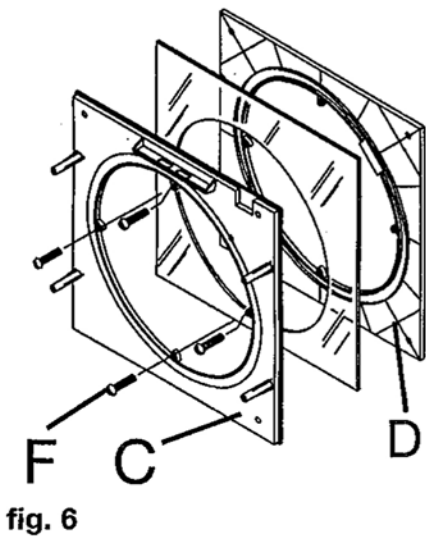
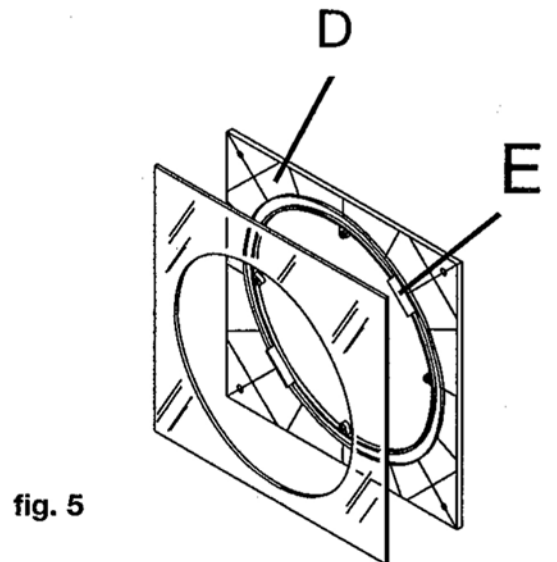
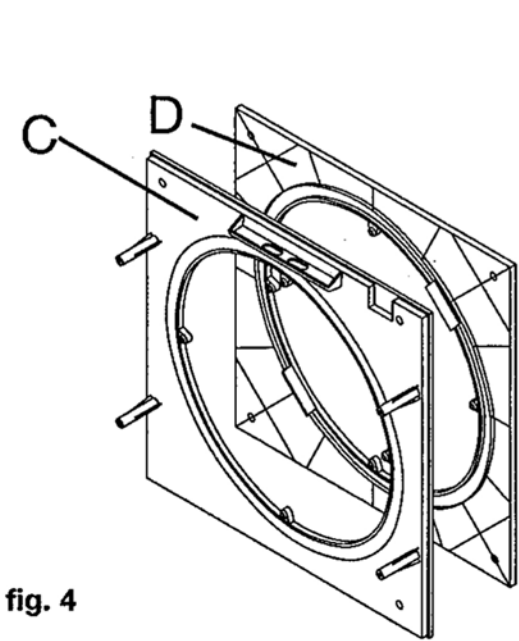
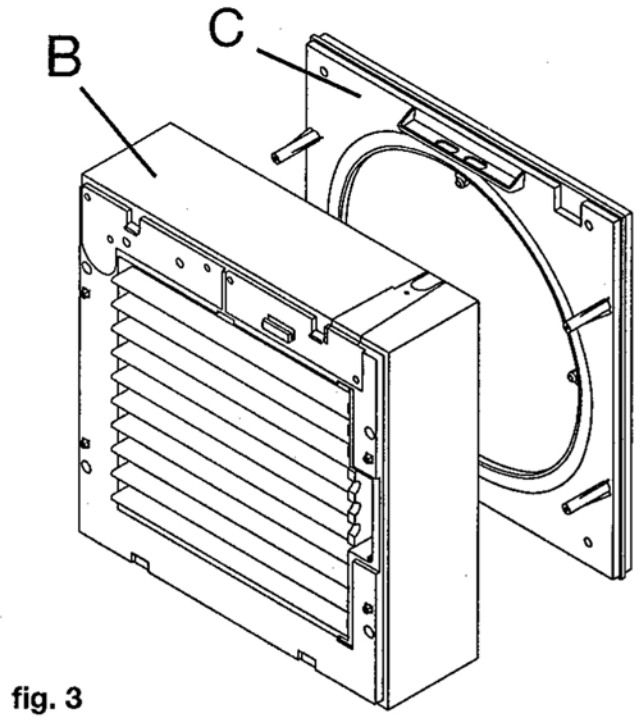
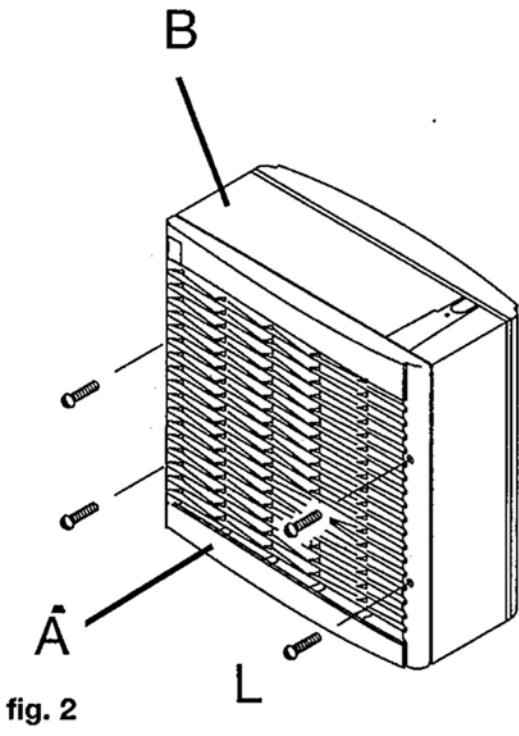


WITH CONTROLLER



CLEANING & MAINTENANCE

1. Disconnect mains electrical supply by means of double pole switch.
2. Remove front grille and wash it with mild detergent.
3. To clean the inner part of the fan, use a soft brush taking care not to cause any damage or disturb the electrical wiring.



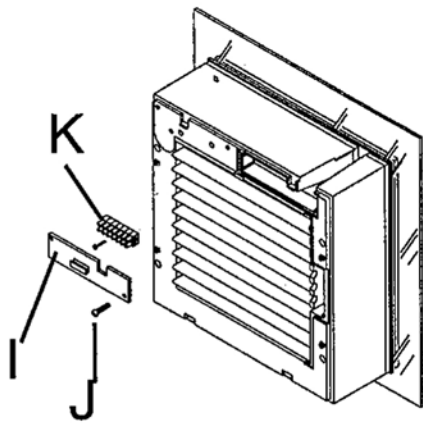


fig. 8

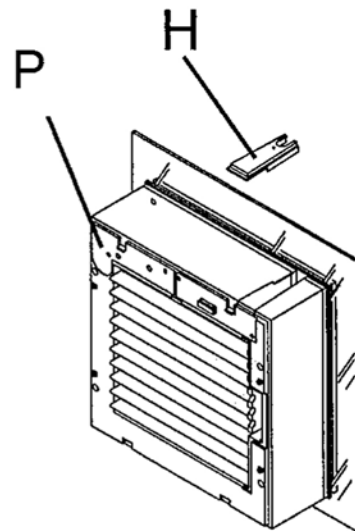


fig. 9

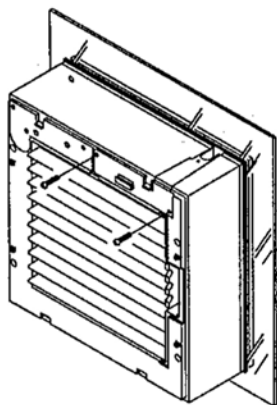


fig. 10

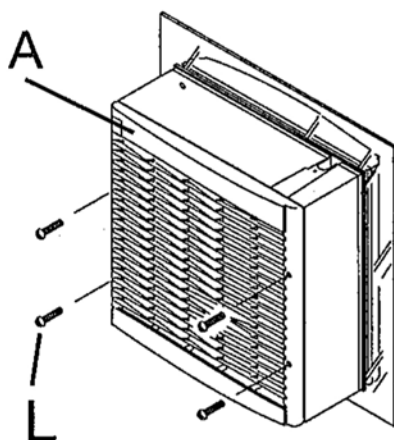


fig. 11

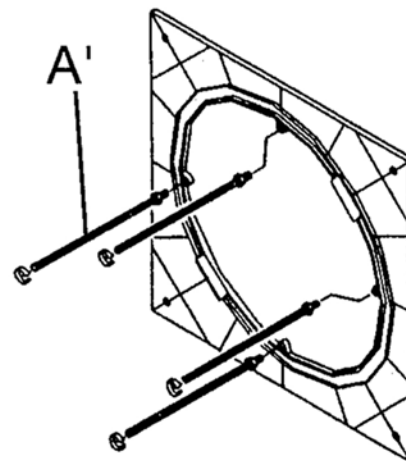


fig. 12

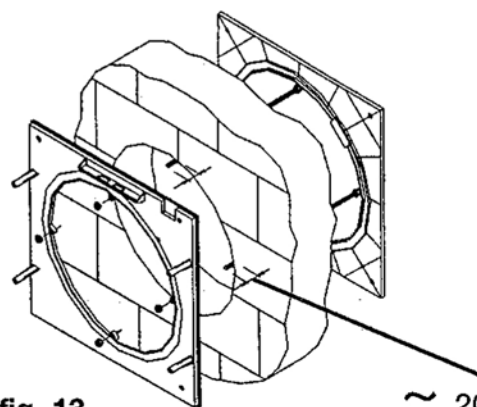


fig. 13

≈ 20 mm.

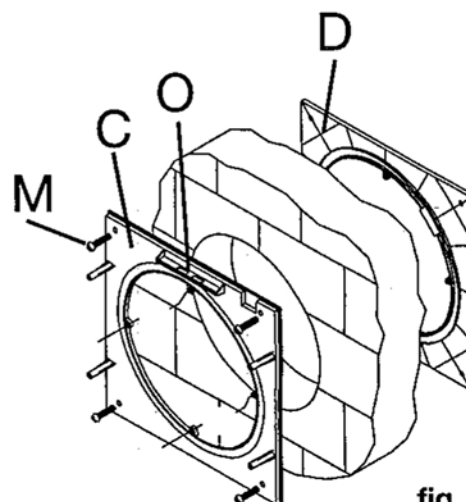


fig. 14

Vectaire Ltd

Lincoln Road, Cressex Business Park, High Wycombe, Bucks, HP12 3RH, UK
 Tel. +44 (0) 1494 522333 - Fax +44 (0) 1494 522337